

Your safety
Our priority...

DSPA 5

Portable Knock Down Tools

Description:

Easy, Quick and Safe deployable for indoor fires. The DSPA-5 can be used in early developing fires (in which it will act as an extinguisher), but also in fully developed fires that can cause flash overs or back drafts.

In such situations the DSPA5 will knock the fire down, flames will be gone in seconds and the temperature will drop significantly.

Re-ignition won't occur for a considerable amount of time. The safety of fire fighters is therefore increased considerably. Fire fighters will enter the building/ room and using water and their thermal imaging camera, they will extinguish the "hot spots" if there are any

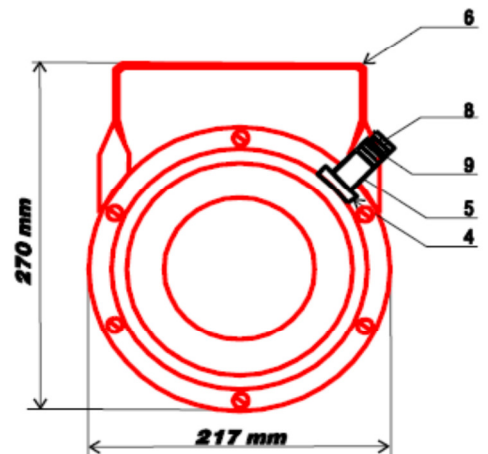
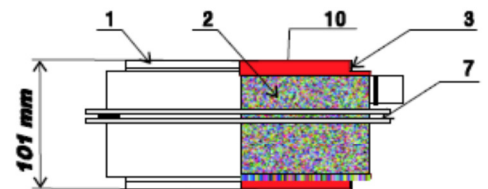
Technical Data:

Mass of equipped DSPA:	+/- 5.4 kg
Protection capacity (hermetically closed area)	60m ³
Recommended area:	40m ³
Mass of aerosol-forming agent:	3.3 kg
Time of actuation delay:	6 - 10 s.
Time of fire extinguishing aerosol discharge	20 - 28 s
Time of suspended aerosol staying in an air-tight space	No less than 50 min
Activation system:	Manual
Force of starting assembly activation	No more than 10 N

References:

• DSPA 5	Approx. Capacity	60 m ³
• DSPA 5-4	Approx. Capacity	18 m ³
• DSPA 5-3	Approx. Capacity	6 m ³
• DSPA M5	Approx. Capacity	60 m ³

The DSPA M5 is especially for Marine applications. It's the same product as the DSPA-5, only the product has a special coating to be able to withstand marine climate conditions (salts).



1. Body
2. Aerosol forming agent
3. Protective layer
4. Threaded bushing
5. Starting assembly
6. Handle
7. Slot nozzle
8. Cord
9. Protective cover
10. Insulation element



ELECTROPAR

PREFORMED LINE PRODUCTS